

GRABSAFE®

Effective: April 1, 2007

PRICE LIST

Patent Numbers: 6,095,283;
6,347,685; 6,619,428

Payment Options:

a. Credit Cards Accepted:

- Visa
- Master Card
- Discover
- American Express.

b. Check-In-Advance

c. Purchase Orders Accepted:

Payment Due Upon Receipt

Pricing:

- Consult ELI for quantity discount levels over 25 sets per order.
- Prices subject to change without notice.

Shipping:

- FOB destination, via UPS, where applicable. Prepay and Add.

Returns:

- All returns are subject to 25% re-stocking charge. All returns require Return Goods Authorization #.

Ordering Instructions:

- Send Model Number and quantity for each Model Number.

Finish Identifiers:

PCY = Powder Coat Safety Yellow

GAL = Hot-dip Galvanize

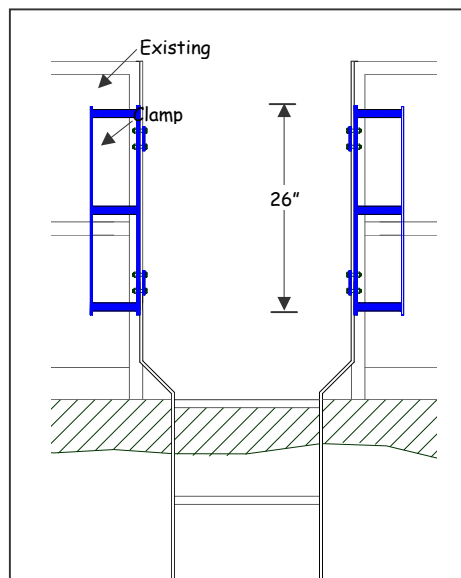
MLD = Unfinished Mild Steel

GRABSAFE® is a registered trademark and a patented product. Certain legal restrictions may apply to the GRABSAFE® name and product.

The GRABSAFE® provides horizontal grab bars for your fixed, step through ladders. Available in two (2) Models:

1. The GBS-CLMP is ideal for retrofit of existing ladders. By utilizing the provided mounting hardware you simply clamp the grab safe to your ladder rails.
2. The GBS-WELD designed to be welded to your existing ladder or welded to any new ladder being constructed.

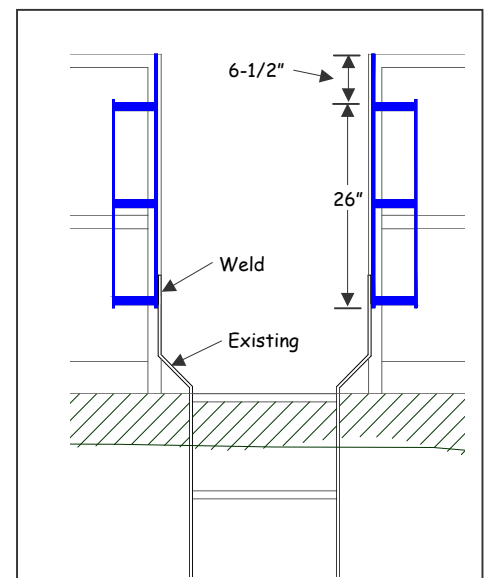
GRABSAFE® is available in Powder Coat Safety Yellow, Hot-dip Galvanize, or Stainless Steel (Depending upon Model Chosen).



Clamp-On Model

MODEL	PRICE
E-GBS-CLMP-PCY	\$252
E-GBS-CLMP-MLD [†]	\$252

Weight Each Set 33 lbs



Weld-On Model

MODEL	PRICE
E-GBS-WELD-GAL	\$252
E-GBS-WELD-MLD [†]	\$252

Weight Each Set 30 lbs

Notes:

- Clamp-On or Weld-On Model fits Straight or Flared Ladder Side rails.
- Clamp-On Model fits flat stock side rails up to 3" wide and virtually any thickness. Standard Hardware includes bolts for side rail thickness up to 3/4".
- **Special Orders/Custom Models: Consult ELI.**

[†] MLD Model is Unfinished Mild Steel.

- Pricing, product design, and product offering may change without notice.



**LADDER
IMPROVEMENTS, INC.**

306 Country Club Drive
Wilmington, DE 19803-2920
Phone: (302) 571-8470
Fax: (302) 571-0756
www.FallSafety.com
Email: eli@FallSafety.com