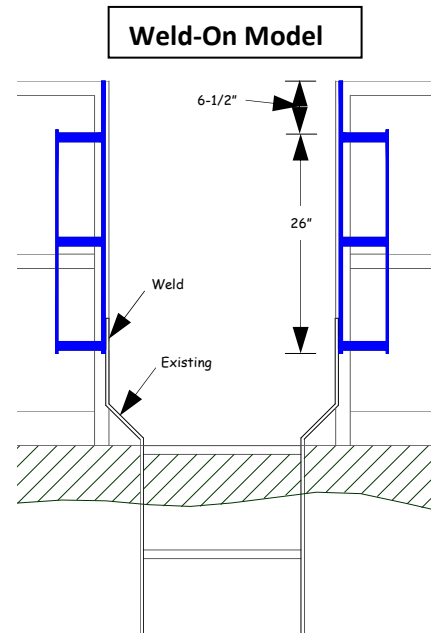
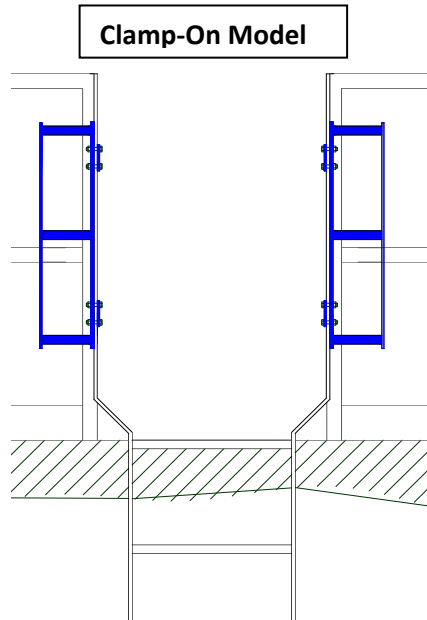


GrabSafe®

Product Literature

Increase ladder stability by adding horizontal grab bars to the step through portion of a fixed ladder. GrabSafe® provides personnel with a stable grip when ascending or descending from an elevated ladderway, even with gloved hands.



PRODUCT FEATURES

- Large ladder rung continuation grips for increased personal safety
- Available in powder coat yellow or unfinished raw steel
- Bolts or welds on to fixed ladder, easily installed onto straight or flared ladder side rails
- Fits flat ladder railings up to 3" deep
- Includes all hardware for installation
- Meets Army Corps of Engineers Reference – EM 385-1-1 (Appendix J)



Product Number	Model	Finish	Shipping Weight	Price
E-GBS-CLMP-PCY	Clamp-On	Powder Coat Yellow	33 lbs	\$252.00
E-GBS-CLMP-MLD	Clamp-On	Unfinished Raw Steel	33 lbs	\$252.00
E-GBS-WELD-PCY	Weld-On	Power Coat Yellow	34 lbs	\$252.00
E-GBS-WELD-MLD	Weld-On	Unfinished Raw Steel	34 lbs	\$252.00

Patents #6,095,283, #6,347,685, #6,619,428



306 Country Club Drive
Wilmington, DE 19803-2920
Phone: (302) 571-8470 Fax: (302) 571-0756
www.FallSafety.com