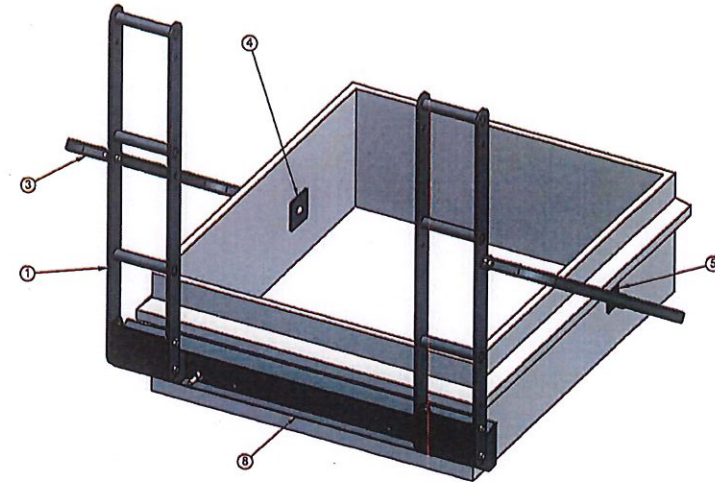
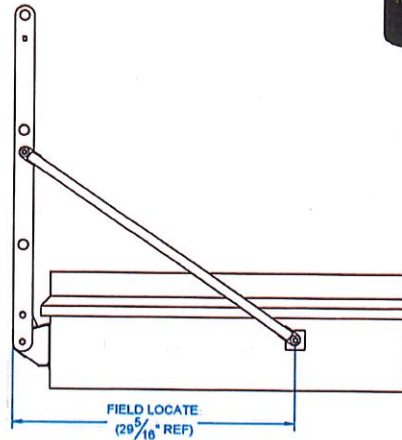
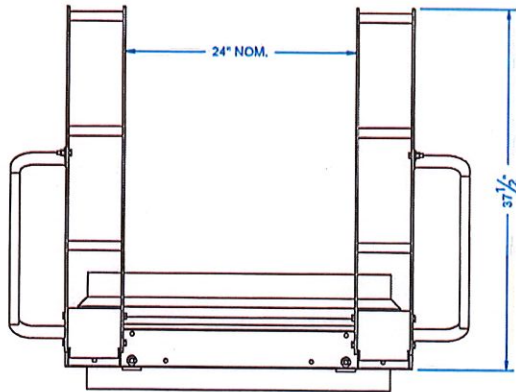
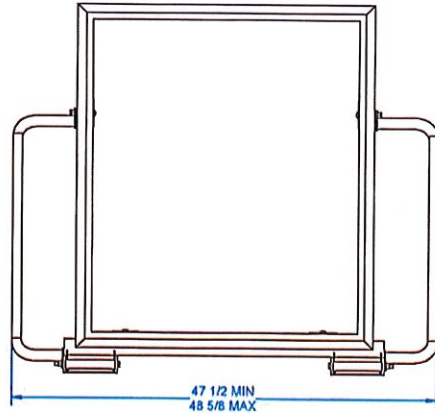


5/17/17

*** HATCH GRIP IS NOT INTENDED TO ACT AS A PROTECTIVE BARRIER FOR GUARDING THE OPEN ROOF HATCH. FOR COMPLETE FALL PROTECTION GUARDING OF AN OPEN ROOF HATCH SEE OUR HATCHSAFE PRODUCT**

B.O.M. IS FOR QTY - 1				
ITEM NO.	PART NO.	DESCRIPTION	Qty	U/M
1	500802	HTG;ASSY RUNG-PCG	2	EA
2	502077	HTG; HARDWARE BAG	1	EA
3	500803	HTG;ASSY SUPP TUBE PCG	2	EA
4	500807	HTG;CRUSH PLATE-PCG	4	EA
5	511040	WS;CURB/CRUSH PLT WEATHER SEAL	4	EA
6	500487	CARTON; HTG, HATCH GRIP	1	EA
7	500574	HTG;DECAL; HATCH GRIP	1	EA
8	511921	HSF;ASSYCURB-PCG	1	EA
9	512234	HTG;INSTALLATION O & M MANUAL	1	EA



PATENT NUMBERS: 6,095,283; 6,347,685; 6,619,428

FINISH: SHERWIN WILLIAMS POLYESTER POWDER COAT 49 GRAY

UV'S DOORS-PROJECTS-YELLOW PRODUCTS-HTG-PCG - 5/15/2017

REV.	REVISIONS	DATE	REVISED BY

WATERJET PROGRAM #:	FOLDING MACHINE PROGRAM #:
---------------------	----------------------------

PRODUCT DESCRIPTION: HATCH GRIP PCG	SNWO:
CUSTOMER:	DWG STATUS: FOR REFERENCE ONLY
CUSTOMER PO #:	ESTIMATED ASSEMBLY WEIGHT: 52.31 LBS.
SALES ORDER NAME: PS DOORS - STOCK	DWG #: HTG-PCG
SALES ORDER #:	DWG BY: bsm/ste

PART #: HTG-PCG	DATE: 5/15/2017
UNLESS OTHERWISE SPECIFIED	SCALE: NTS
LINEAR ± .0312" (1/32")	SHEET #: 1 OF 3
CUTOUT ± .0156" (1/64")	CHECKED: /
SURF FINESSE ± .0025" (1/160")	REV: B
ANGULAR ± .5°	

1150 48th St. S
GRAND FORKS, ND 58201
PH: 701-746-5515
FAX: 701-746-8340