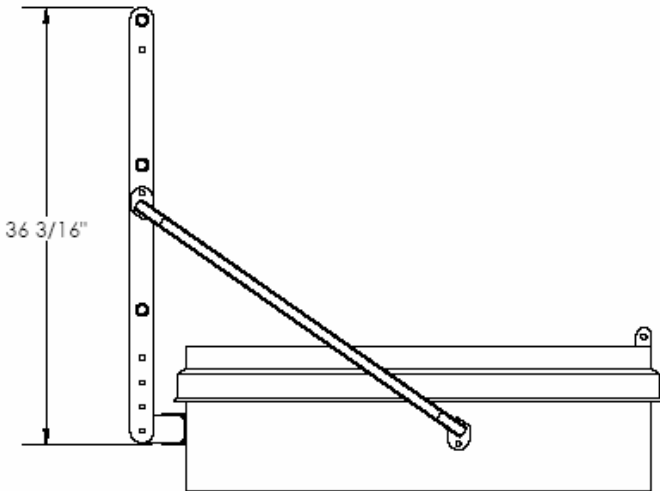
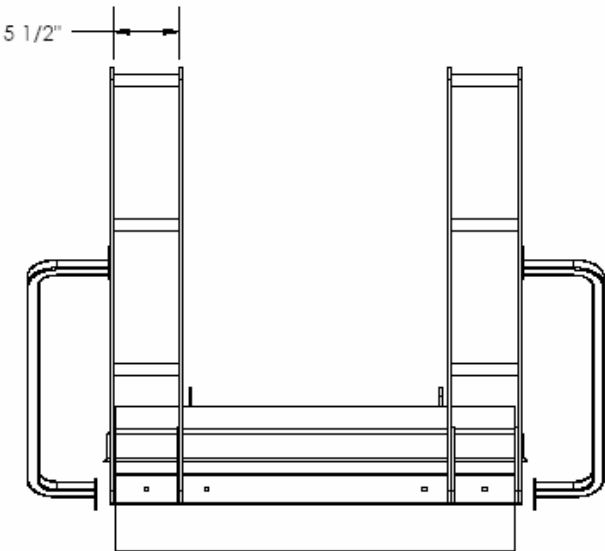
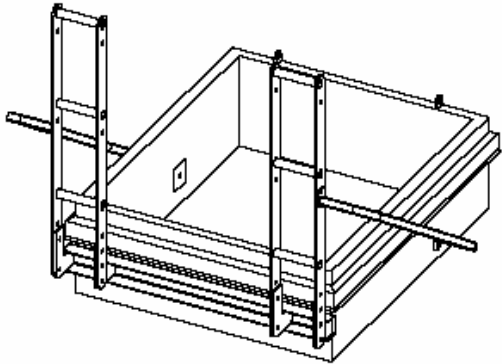
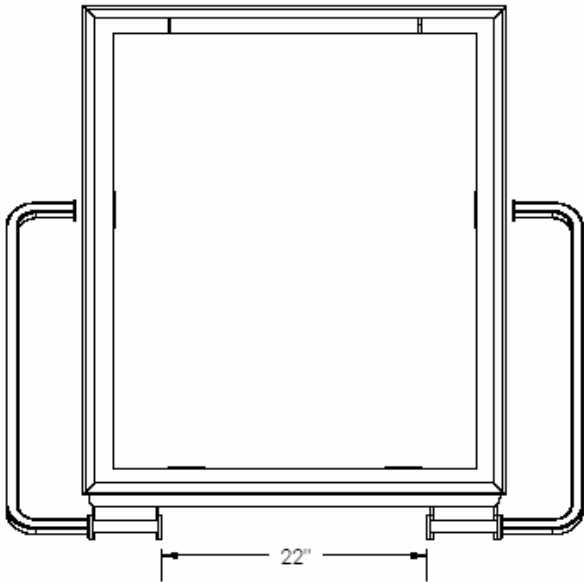



		REVISIONS			
ZONE	REV.	DESCRIPTION		DATE	APPROVED



SERIAL #:		DOOR NAME: Hatch Grip		PART #: 765-1-0010-02		
<p>This drawing is loaned with the expressed agreement that the drawing and information therein contained are the property of Ellis Ladder Improvements, Inc. and will not be reproduced or copied in whole or in part nor used for the fabrication or construction of materials except upon the written permission of Production Specialties Corporation first obtained and specific as to use. The acceptance of this drawing will be construed as the acceptance of the foregoing agreement.</p>		CUSTOMER:		DATE:	SHEET #: 1 OF 1	
		CUST ORDER #:		DWG BY: GLS	12/7/2005	DWG #:
		JOB NAME:		CHECKED:		DATE: 12/7/2005
		PS JOB #:		SCALE: 1:12		REV:
						
				306 Country Club Drive Wilmington, DE 19803-2920 Phone: (302) 571-8470 Fax: (302) 571-0756 www.FallSafety.com		