

HatchSAFE®

ROOF HATCH RAILING SYSTEM



U.S. Patent No's. Apply 6095283, 6347685, 6619428

HatchSAFE® is a full railing system with a self-closing safety gate, and integrated GRABSAFE® technology designed specifically for roof hatch openings.

The **HatchSAFE®** provides permanent, 4-sided protection.

SAFE
SIMPLE
DURABLE
ECONOMICAL

Never leave your roof hatch opening unprotected again.

References:

ANSI-ASC A14.3-2008

5.3.4.3 Hatch openings shall be provided with a means to facilitate access and exit from a fixed ladder (i.e. Grab Bars or other such items that can be grasped by the climber.

OSHA Regulation—Standard 29 CFR 1910.23 (a)(2)

Every ladderway floor opening or platform shall be guarded by a standard railing with standard toeboard on all exposed sides (except at entrance to opening), with the passage through the railing either provided with a swinging gate or so offset that a person cannot walk directly into the opening.

Application Use

All roof hatch openings.

Floor hole openings.

Quick Facts

Bolts to roof hatch curb with gasketed connection.

Railing meets OSHA Standard.

Self-closing Safety Gate for added safety.

Mild steel or Stainless steel
Power coat Gray finish.

Ships “knocked-down” for easy shipping and handling, and transporting to installation site.

Easily installed with only a few common tools.

Benefits

Full railing around roof hatch opening.

Increase safety and fall protection.

Permanent, reduces the human factor.

Standard Features

Self-closing gate

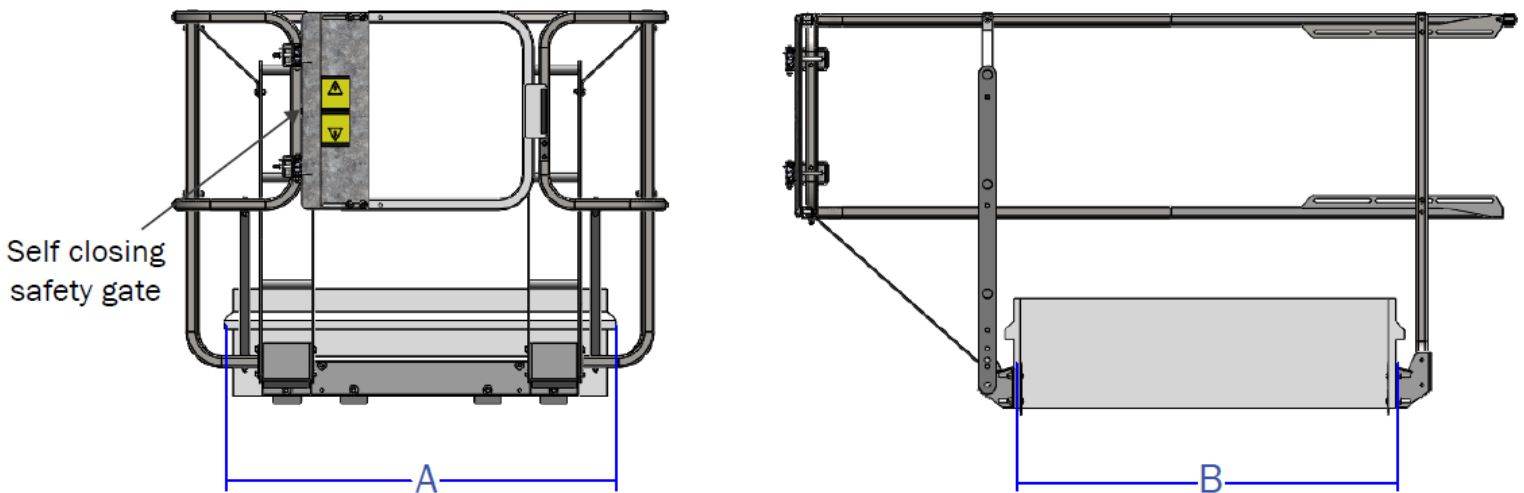
Includes all hardware required for installation.

Adjustability to properly fit roof hatch curb irregularities

Price/ Size Chart

MODEL NUMBER	SIZE A RANGE	SIZE B RANGE	PRICE EACH
E-HSF-4848MG	30" - 48"	30" - 48"	\$1,700
E-HSF-4866MG	30" - 48"	48" - 66"	\$1,850
E-HSF-4884MG	30" - 48"	66" - 84"	\$1,950
E-HSF-48102MG	30" - 48"	84" - 102"	\$3,249
E-HSF-6048MG	48" - 60"	30" - 48"	\$1,653
E-HSF-6066MG	48" - 60"	48" - 66"	\$1,818
E-HSF-6084MG	48" - 60"	66" - 84"	\$2,000
E-HSF-60102MG	48" - 60"	84" - 102"	\$3,414

Custom size available



Standard Technical Data for the HatchSAFE®:

- a. Railing: Formed 1-1/4" square, 11 gauge mild steel tubing, mild steel.
- b. Railing Posts: Formed 1-1/4" square, 11 gauge mild steel tubing, mild steel.
- c. Gate Operation: Allows for 180° travel.
 - Hinge Springs: Torsion type, stainless steel. Includes two (2) springs per gate, housed within hinge pivot
 - Hinge Plate: 10-gauge hinge plate.
- d. Railing and HatchGrip Finish: Finish on all exposed surfaces to be powder coat gray.
- e. Self-closing Gate Finish: Finish to be Hot-Dip Galvanized.
- f. Limited Warranty: Material and workmanship warranted for 1 year from ship date.

ELLIS LADDER IMPROVEMENTS, INC.
 P. O. Box 7589
 Newark, DE 19714
 302-571-8470
 eli@FallSafety.com